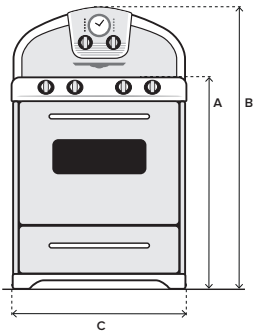
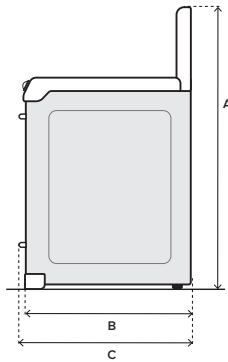


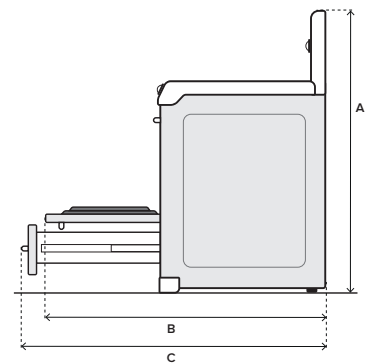
1954



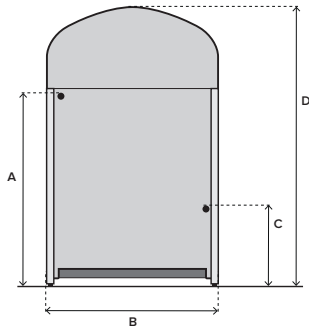
A	Height to top of cooking surface	36"
B	Height to top of crown	49"
C	Width	30 ¼"



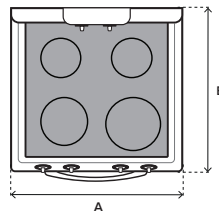
A	Height to top of crown	49"
B	Depth	28 ½"
C	Depth including handles	30 ½"



A	Height to top of crown	49"
B	Depth with oven door open 90°	47"
C	Depth with drawer open fully	50 ⅛"



A	Height to top of cooking surface	36"
B	Width	30 ¼"
C	Power cord placement 12" above floor on left side	
D	Height to top of crown	49"



A	Width	30 ¼"
B	Depth	28 ½"

OVEN

Fuel	Electric
Capacity (cu. ft.)	4.0
Width	25
Height	16"
Depth	16 5/16"
Delayed Start Baking/Cleaning	Yes
Variable Temperature Broil	Yes
Door-Activated Light with Override	Halogen
Commercial-Grade Plated Racks	Yes
True Convection	Yes

**STAINLESS STEEL WARMER DRAWER
(BECOMES STORAGE WHEN NOT IN USE)**

Located in lower drawer	Optional
Dimensions 26 3/4" W x 22 1/2" D x 5 3/8" H	

RANGETOP

Electric High-Speed Radiant Elements	Yes
1,500 Watt Radiant (Rear)	2
2,000 Watt Radiant (Front Left)	1
2,500 Watt Radiant (Front Right)	1

POWER RATING

Power Source (208 to 250V) appliance rating	220V-40A
---	----------

SHIPPING WEIGHT

	305 lbs
--	---------